

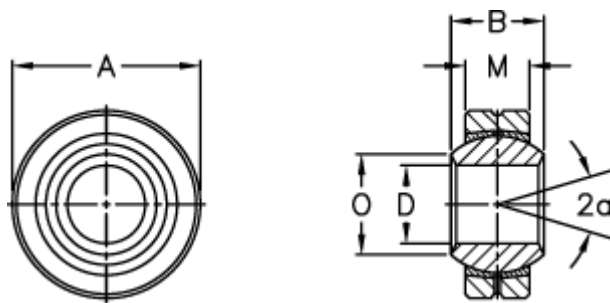
Data Sheet



Article number: 03400018

Description: Fluro Rod end GL 18

Measures



A	= 42	Static load C0 (kN) = 78.5
a (degrees)	= 15	Weight = 150
B	= 23	
D	= 18	
Dynamic load C (kN)	= 19.5	
M	= 16.5	
O	= 21.8	
Permissible rpm	= 320	